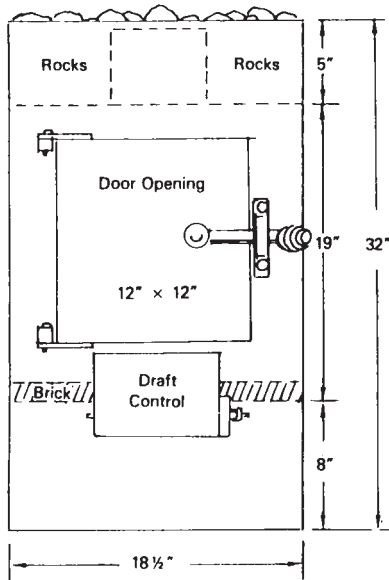
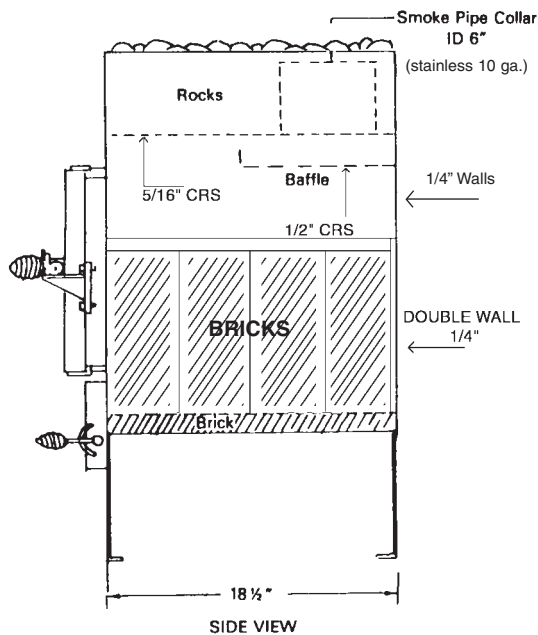


KUUMATM

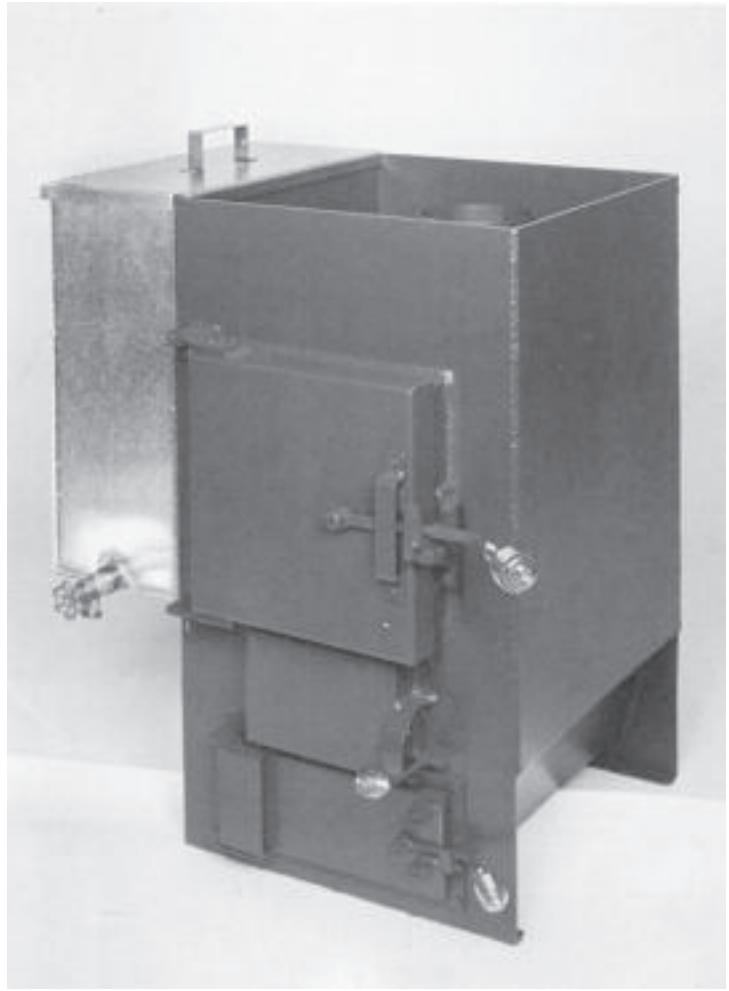
Wood Sauna Stoves



FRONT VIEW
SAUNA STOVE
(5 ga.)



SIDE VIEW



- * Air Tight
- * Logs Burn From Front to Back
- * Insulated Loading Door (1 1/2" ceramic)
- * Adjustable Hinges & Latch
- * Cool Coil Handles
- * Baffled Fire Chamber
- * Firebrick Included
- * Approved to U.L. #1482

OPTIONS EXTRA:

1. 12 Gallon Stainless Steel H₂O Tank for Hot Water
2. Stainless Steel Cover
3. (8" or 12") Throat Extension for Outside Feed (see reverse side)
4. Ash Pan
5. Heat Shield, Single or Double (see reverse side)
6. H₂O Coil for Heating Tank

KUUMATM STOVES

Lamppa Mfg. Inc.
P.O. Box 422
(218) 753-2330 • (800) 358-2049
Tower, Minn 55790-0422
e-mail: lampmfg@rangenet.com