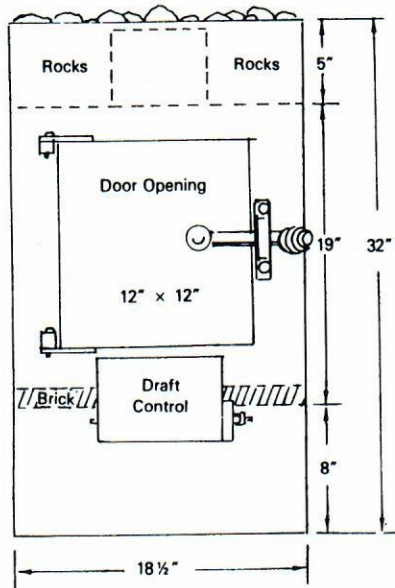
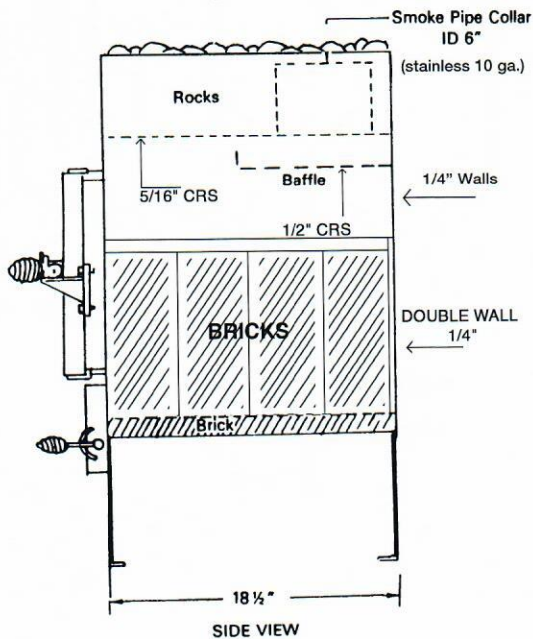


KUUMATM

Wood Sauna Stoves



FRONT VIEW
SAUNA STOVE
(5 ga.)



SIDE VIEW



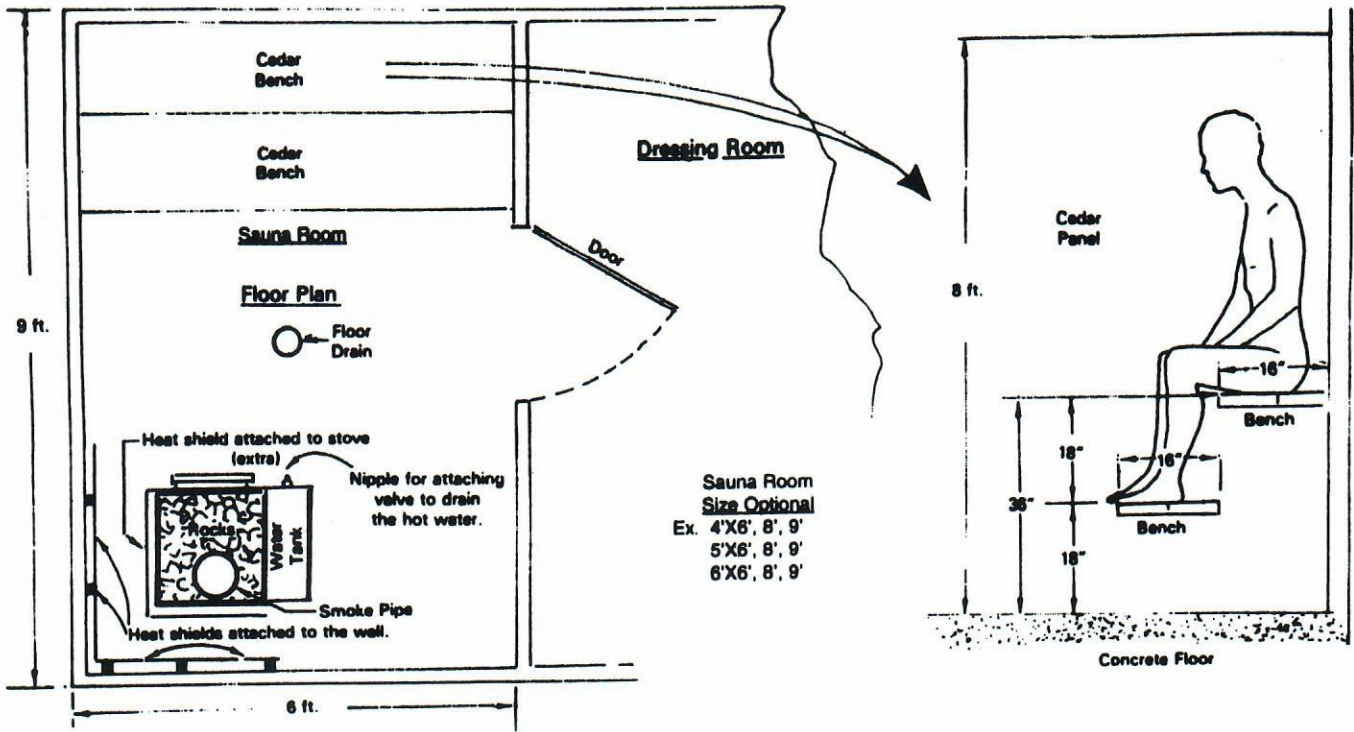
- * Air Tight
- * Logs Burn From Front to Back
- * Insulated Loading Door (1 1/2" ceramic)
- * Adjustable Hinges & Latch
- * Cool Coil Handles
- * Baffled Fire Chamber
- * Firebrick Included
- * Approved to U.L. #1482 by PFS

OPTIONS EXTRA:

1. 12 Gallon Stainless Steel H2O Tank for Hot Water
2. Stainless Steel Cover
3. (8" or 12") Throat Extension for Outside Feed (see reverse side)
4. Ash Pan
5. Heat Shield, Single or Double (see reverse side)
6. H2O Coil for Heating Tank
7. Glass on Door (5x8")

KUUMATM STOVES

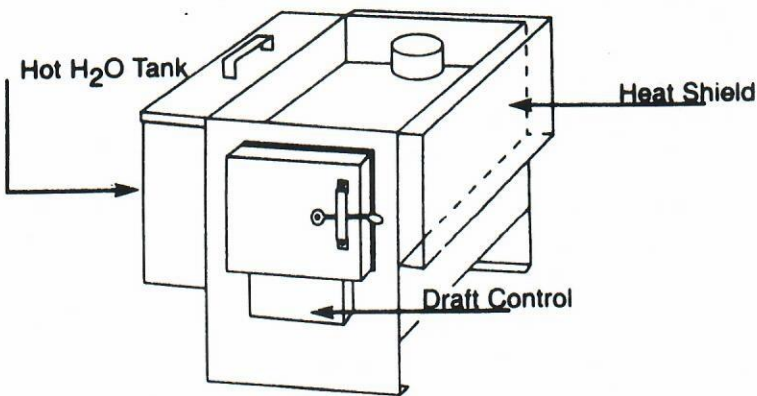
Lamppa Mfg. Inc.
P.O. Box 422
(218) 753-2330 • (800) 358-2049
Tower, Minn 55790-0422
e-mail: lampmfg@gmail.com



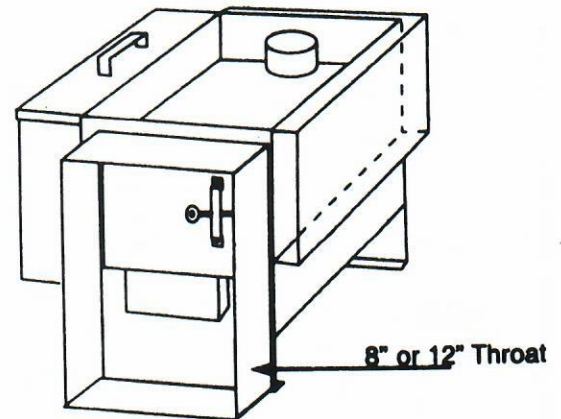
SAUNA FLOOR PLAN

This sketch is only a suggestion as to how a floor plan should look.

The distance between the stove and any combustible material is critical, we suggest a distance of 12" between the stove and a combustible surface with the heat shields as shown.



Double or Single Insulated Heat Shield



Throat Extension for Outside Feed

DEALER

KUUMA STOVES

Lamppa Mfg. Inc.
 P.O. Box 422
 (218) 753-2330 • (800) 358-2049
 Tower, Minn 55790-0422